

GEORGIA HARDWOODS INC

3061 VERONA AVE • BUFORD, GA.
 (770) 932-0640 • (800) 992-6426
 FAX (678) 546-6105

WOOD DOOR ORDER FORM

ORDER#

QUOTE ONLY

ALLOW 1-2 DAYS FOR DELIVERY * \$300 MINIMUM FOR DELIVERY
 VAN LUM UPS CPU LTL

DATE: _____ COMPLETION DATE: _____ JOB #: _____ SALESMAN: _____

CUSTOMER NAME: _____ PHONE: _____ FAX: _____

WOOD SPECIES: _____ DOOR STYLE: _____ PANEL PROFILE: _____ EDGE PROFILE: _____ STILE PROFILE: _____ HINGE BORE: <input type="checkbox"/> HETTICH <input type="checkbox"/> BLUM	WOOD SPECIES: _____ DOOR STYLE: _____ PANEL PROFILE: _____ EDGE PROFILE: _____ STILE PROFILE: _____ HINGE BORE: <input type="checkbox"/> HETTICH <input type="checkbox"/> BLUM	SLAB DRAWER FRONTS SPECIES: _____ STYLE: _____ EDGE: _____
---	---	---

Qty	Width	Height	Notes	Qty	Width	Height	Notes	Qty	Width	Height	Notes
1				1				1			
2				2				2			
3				3				3			
4				4				4			
5				5				5			
6				6				6			
7				7				7			
8				8				8			
9				9				9			
10				10				10			
11				11				11			
12				12				12			
13				13				13			
14				14				14			
15				15				15			
16				16				16			
17				17				17			
18				18				18			
19				19				19			
20				20							
21				21							
22				22							
23				23							
24				24							
25				25							

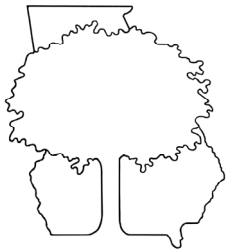
FAXED BY: _____
 DATE: _____ TIME: _____
 INITIAL IF CORRECT: _____
 FAX BACK: (678) 546-6105

CONFIRMATIONS NOT RETURNED WITHIN
 24 HOURS WILL BE CONSIDERED CORRECT.

Total Doors _____

Total Doors _____

Total Slabs _____



GEORGIA HARDWOODS INC

3061 VERONA AVE • BUFORD, GA.

(770) 932-0640 • (800) 992-6426

FAX (678) 546-6105

PREFINISHED DOOR ORDER FORM

ORDER#

QUOTE ONLY

ALLOW 1-2 DAYS FOR DELIVERY * \$300 MINIMUM FOR DELIVERY

VAN LUM UPS CPU LTL

DATE: _____ COMPLETION DATE: _____ JOB #: _____ SALESMAN: _____

CUSTOMER NAME: _____ PHONE: _____ FAX: _____

MAPLE STAINS
(MATCHED ON MAPLE)

<input type="checkbox"/> AMBER	<input type="checkbox"/> NUTMEG
<input type="checkbox"/> AUTUMN	<input type="checkbox"/> REBEL
<input type="checkbox"/> DANISH	<input type="checkbox"/> SANDALWOOD
<input type="checkbox"/> DRIFTWOOD	<input type="checkbox"/> SANIBEL
<input type="checkbox"/> FIRESIDE	
<input type="checkbox"/> HONEY	

OAK STAINS
(MATCHED ON RED OAK)

<input type="checkbox"/> ENGLISH OAK
<input type="checkbox"/> SOLAR OAK

CHERRY STAINS
(MATCHED ON CHERRY)

<input type="checkbox"/> BORDEAUX
<input type="checkbox"/> BUTTERSCOTCH
<input type="checkbox"/> ROYAL CHERRY
<input type="checkbox"/> WILD CHERRY

GLAZES

<input type="checkbox"/> COCOA
<input type="checkbox"/> WHITE
<input type="checkbox"/> VAN DYKE
<input type="checkbox"/> BROWN
<input type="checkbox"/> BLACK

CLEAR FINISH OTHER: _____

WOOD SPECIES: _____	WOOD SPECIES: _____	SLAB DRAWER FRONTS SPECIES: _____
DOOR STYLE: _____	DOOR STYLE: _____	STYLE: _____
PANEL PROFILE: _____	PANEL PROFILE: _____	EDGE: _____
EDGE PROFILE: _____	EDGE PROFILE: _____	
STILE PROFILE: _____	STILE PROFILE: _____	
HINGE BORE: <input type="checkbox"/> HETTICH <input type="checkbox"/> BLUM	HINGE BORE: <input type="checkbox"/> HETTICH <input type="checkbox"/> BLUM	

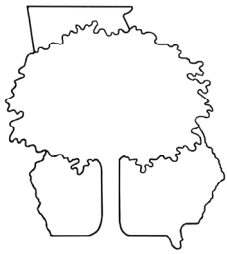
Qty	Width	Height	Notes	Qty	Width	Height	Notes	Qty	Width	Height	Notes
1				1				1			
2				2				2			
3				3				3			
4				4				4			
5				5				5			
6				6				6			
7				7				7			
8				8				8			
9				9				9			
10				10				10			
11				11				11			
12				12				12			
13				13				13			
14				14				14			
15				15				15			
16				16				16			
17				17				17			
18				18				18			
19				19							
20				20							
21				21							
22				22							

FAXED BY: _____
DATE: _____ TIME: _____
INITIAL IF CORRECT: _____
FAX BACK: (678) 546-6105

Total Doors _____

Total Doors _____

Total Slabs _____



GEORGIA HARDWOODS INC

3061 VERONA AVE • BUFORD, GA.
 (770) 932-0640 • (800) 992-6426
 FAX (678) 546-6105

MDF/RTF ORDER FORM

ORDER#

ALLOW 1-2 DAYS FOR DELIVERY * \$300 MINIMUM FOR DELIVERY
VAN LUM UPS CPU LTL

QUOTE ONLY

DATE: _____ COMPLETION DATE: _____ JOB #: _____ SALESMAN: _____

CUSTOMER NAME: _____ PHONE: _____ FAX: _____

<input type="checkbox"/> MDF RAW	<input type="checkbox"/> ANTIQUE WHITE	<input type="checkbox"/> HARDROCK MAPLE	<input type="checkbox"/> WILD APPLE
<input type="checkbox"/> MDF w/WT. MEL. BACK	<input type="checkbox"/> SMOOTH WHITE	<input type="checkbox"/> SANIBEL MAPLE	<input type="checkbox"/> WILD CHERRY
<input type="checkbox"/> FROSTY WHITE	<input type="checkbox"/> DESIGNER WHITE	<input type="checkbox"/> SELECT CHERRY	<input type="checkbox"/> CRAFT WHITE
<input type="checkbox"/> PORCELAIN WHITE	<input type="checkbox"/> CHERRY PEAR	<input type="checkbox"/> SWISS PEAR	OTHER _____

DOOR STYLE: _____	DOOR STYLE: _____	DOOR STYLE: _____
ROUTED PROFILE: _____	ROUTED PROFILE: _____	DRAWER FRONT: _____
EDGE PROFILE: _____	EDGE PROFILE: _____	EDGE PROFILE: _____
HINGE BORE: <input type="checkbox"/> HETTICH <input type="checkbox"/> BLUM	HINGE BORE: <input type="checkbox"/> HETTICH <input type="checkbox"/> BLUM	

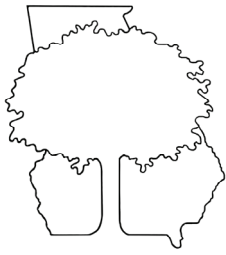
Qty	Width	Height	Notes	Qty	Width	Height	Notes	Qty	Width	Height	Notes
1				1				1			
2				2				2			
3				3				3			
4				4				4			
5				5				5			
6				6				6			
7				7				7			
8				8				8			
9				9				9			
10				10				10			
11				11				11			
12				12				12			
13				13				13			
14				14				14			
15				15				15			
16				16				16			
17				17				17			
18				18				18			
19				19				19			
20				20							
21				21							
22				22							
23				23							
24				24							
25				25							

FAXED BY: _____
 DATE: _____ TIME: _____
 INITIAL IF CORRECT: _____
 FAX BACK: (678) 546-6105

Total Doors _____

Total Doors _____

Total Fronts _____



GEORGIA HARDWOODS INC

3061 VERONA AVE • BUFORD, GA.
 (770) 932-0640 • (800) 992-6426
 FAX (678) 546-6105

DOVETAIL DRAWERBOX ORDER FORM

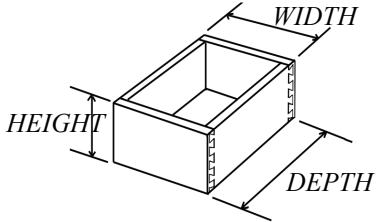
ORDER#

ALLOW 1-2 DAYS FOR DELIVERY * \$300 MINIMUM FOR DELIVERY
 VAN LUM UPS CPU LTL

QUOTE ONLY

DATE: _____ COMPLETION DATE: _____ JOB #: _____ SALESMAN: _____

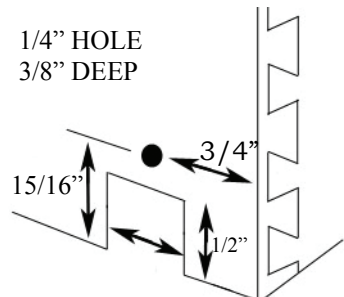
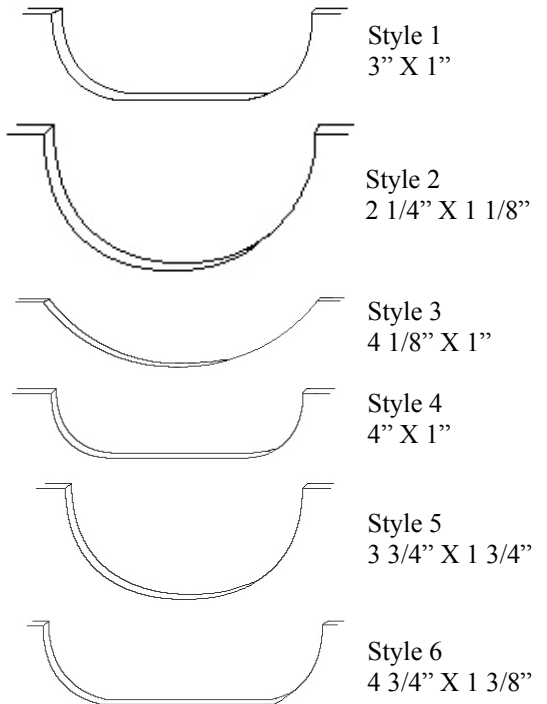
CUSTOMER NAME: _____ PHONE: _____ FAX: _____



SPECIES: <input type="checkbox"/> NATURAL MAPLE <input type="checkbox"/> SOFT WT. MAPLE OTHER: _____	OPTIONS: <input type="checkbox"/> CLEAR COAT <input type="checkbox"/> KNOCK DOWN <input type="checkbox"/> HANDPULL OTHER: _____	SLIDE OPTIONS: <input type="checkbox"/> DADO WIDTH <input type="checkbox"/> 1/4" HOLE
--	--	--

	QTY	HEIGHT	WIDTH	DEPTH	NOTES
1					
2					
3					
4					
5					
6					
7					
8					
9					
10					
11					
12					
13					
14					
15					
16					
16					
18					
19					
20					
21					
22					

HANDPULLS:



- 7/8" WIDE (HETTICH)
- 1-3/4" WIDE (BLUM)

Total Drawer Boxes _____